

E-ONE INC.
OCALA, FL
SO 139/55
eMAX HUSH BODY
CYCLONE 2X HUSH CAB

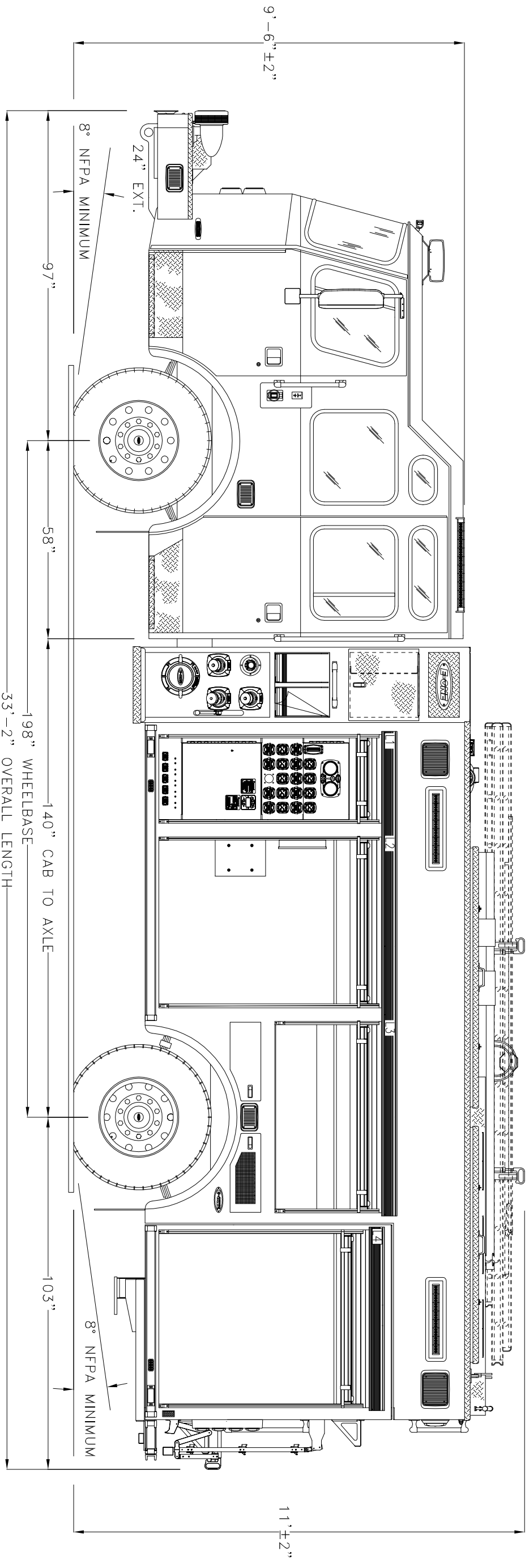
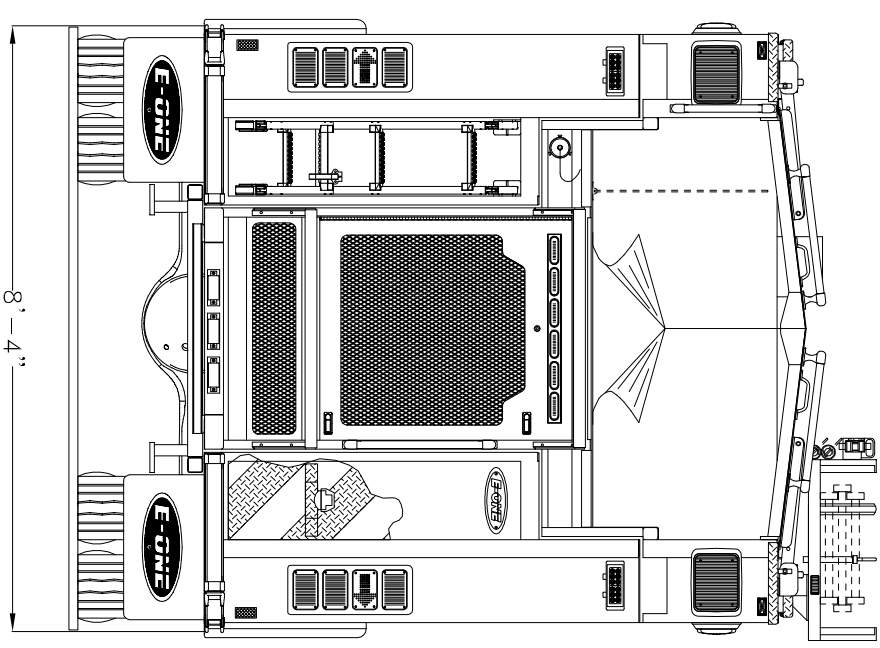
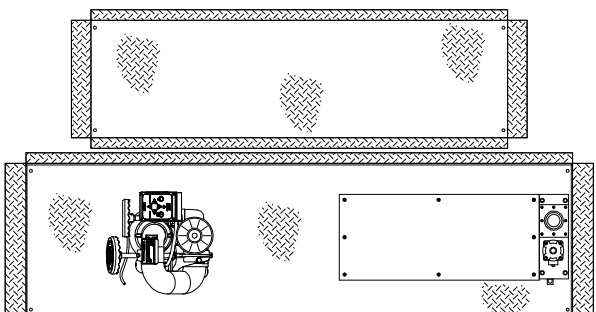
1500 GPM E-ONE PUMP	HOSE LOAD:
720 GALLON WATER TANK	400' OF 2.50" DJ
30 GALLON CLASS "A" FOAM CELL	1200' OF 5.00" LDH

COMP.	OPENING	INTERIOR DIMENSION	PUMP PANEL
L1	24W	59H	26W 3H 12D UPPER
R1	24W	59H	26W 56H 26D LOWER
L2/R2	48W	59H	50W 8H 12D UPPER
			50W 51H 26D LOWER
L3	54W	25H	56W 8H 12D UPPER
			56W 5H 23D MIDDLE
R3	31W	25H	33W 12H 26D LOWER
			33W 5H 23D MIDDLE
L4/R4	50W	56H	33W 12H 26D LOWER
			52W 5H 24D LOWER

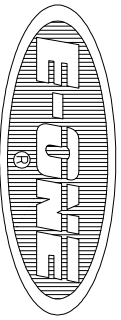
THIS DRAWING IS FOR REFERENCE PURPOSES. ALL DIMENSIONS ARE SUBJECT TO MINOR VARIATIONS DUE TO MANUFACTURING PROCESSES.

APPROVED FOR PRODUCTION

DESIGNER: _____ DATE: _____



REVISIONS	DATE	BY	DESCRIPTION
1	2005-MAR-28	JKS/KAB	ISSUED
2	2005-MAR-28	JKS/KAB	ISSUED
3	2005-MAR-28	JKS/KAB	ISSUED
4	2005-MAR-28	JKS/KAB	ISSUED
5	2005-MAR-28	JKS/KAB	ISSUED
6	2005-MAR-28	JKS/KAB	ISSUED
7	2005-MAR-28	JKS/KAB	ISSUED
8	2005-MAR-28	JKS/KAB	ISSUED
9	2005-MAR-28	JKS/KAB	ISSUED
10	2005-MAR-28	JKS/KAB	ISSUED
11	2005-MAR-28	JKS/KAB	ISSUED
12	2005-MAR-28	JKS/KAB	ISSUED
13	2005-MAR-28	JKS/KAB	ISSUED
14	2005-MAR-28	JKS/KAB	ISSUED
15	2005-MAR-28	JKS/KAB	ISSUED
16	2005-MAR-28	JKS/KAB	ISSUED
17	2005-MAR-28	JKS/KAB	ISSUED
18	2005-MAR-28	JKS/KAB	ISSUED
19	2005-MAR-28	JKS/KAB	ISSUED
20	2005-MAR-28	JKS/KAB	ISSUED
21	2005-MAR-28	JKS/KAB	ISSUED
22	2005-MAR-28	JKS/KAB	ISSUED
23	2005-MAR-28	JKS/KAB	ISSUED
24	2005-MAR-28	JKS/KAB	ISSUED
25	2005-MAR-28	JKS/KAB	ISSUED
26	2005-MAR-28	JKS/KAB	ISSUED
27	2005-MAR-28	JKS/KAB	ISSUED
28	2005-MAR-28	JKS/KAB	ISSUED
29	2005-MAR-28	JKS/KAB	ISSUED
30	2005-MAR-28	JKS/KAB	ISSUED
31	2005-MAR-28	JKS/KAB	ISSUED
32	2005-MAR-28	JKS/KAB	ISSUED
33	2005-MAR-28	JKS/KAB	ISSUED
34	2005-MAR-28	JKS/KAB	ISSUED
35	2005-MAR-28	JKS/KAB	ISSUED
36	2005-MAR-28	JKS/KAB	ISSUED
37	2005-MAR-28	JKS/KAB	ISSUED
38	2005-MAR-28	JKS/KAB	ISSUED
39	2005-MAR-28	JKS/KAB	ISSUED
40	2005-MAR-28	JKS/KAB	ISSUED
41	2005-MAR-28	JKS/KAB	ISSUED
42	2005-MAR-28	JKS/KAB	ISSUED
43	2005-MAR-28	JKS/KAB	ISSUED
44	2005-MAR-28	JKS/KAB	ISSUED
45	2005-MAR-28	JKS/KAB	ISSUED
46	2005-MAR-28	JKS/KAB	ISSUED
47	2005-MAR-28	JKS/KAB	ISSUED
48	2005-MAR-28	JKS/KAB	ISSUED
49	2005-MAR-28	JKS/KAB	ISSUED
50	2005-MAR-28	JKS/KAB	ISSUED
51	2005-MAR-28	JKS/KAB	ISSUED
52	2005-MAR-28	JKS/KAB	ISSUED
53	2005-MAR-28	JKS/KAB	ISSUED
54	2005-MAR-28	JKS/KAB	ISSUED
55	2005-MAR-28	JKS/KAB	ISSUED
56	2005-MAR-28	JKS/KAB	ISSUED
57	2005-MAR-28	JKS/KAB	ISSUED
58	2005-MAR-28	JKS/KAB	ISSUED
59	2005-MAR-28	JKS/KAB	ISSUED
60	2005-MAR-28	JKS/KAB	ISSUED
61	2005-MAR-28	JKS/KAB	ISSUED
62	2005-MAR-28	JKS/KAB	ISSUED
63	2005-MAR-28	JKS/KAB	ISSUED
64	2005-MAR-28	JKS/KAB	ISSUED
65	2005-MAR-28	JKS/KAB	ISSUED
66	2005-MAR-28	JKS/KAB	ISSUED
67	2005-MAR-28	JKS/KAB	ISSUED
68	2005-MAR-28	JKS/KAB	ISSUED
69	2005-MAR-28	JKS/KAB	ISSUED
70	2005-MAR-28	JKS/KAB	ISSUED
71	2005-MAR-28	JKS/KAB	ISSUED
72	2005-MAR-28	JKS/KAB	ISSUED
73	2005-MAR-28	JKS/KAB	ISSUED
74	2005-MAR-28	JKS/KAB	ISSUED
75	2005-MAR-28	JKS/KAB	ISSUED
76	2005-MAR-28	JKS/KAB	ISSUED
77	2005-MAR-28	JKS/KAB	ISSUED
78	2005-MAR-28	JKS/KAB	ISSUED
79	2005-MAR-28	JKS/KAB	ISSUED
80	2005-MAR-28	JKS/KAB	ISSUED
81	2005-MAR-28	JKS/KAB	ISSUED
82	2005-MAR-28	JKS/KAB	ISSUED
83	2005-MAR-28	JKS/KAB	ISSUED
84	2005-MAR-28	JKS/KAB	ISSUED
85	2005-MAR-28	JKS/KAB	ISSUED
86	2005-MAR-28	JKS/KAB	ISSUED
87	2005-MAR-28	JKS/KAB	ISSUED
88	2005-MAR-28	JKS/KAB	ISSUED
89	2005-MAR-28	JKS/KAB	ISSUED
90	2005-MAR-28	JKS/KAB	ISSUED
91	2005-MAR-28	JKS/KAB	ISSUED
92	2005-MAR-28	JKS/KAB	ISSUED
93	2005-MAR-28	JKS/KAB	ISSUED
94	2005-MAR-28	JKS/KAB	ISSUED
95	2005-MAR-28	JKS/KAB	ISSUED
96	2005-MAR-28	JKS/KAB	ISSUED
97	2005-MAR-28	JKS/KAB	ISSUED
98	2005-MAR-28	JKS/KAB	ISSUED
99	2005-MAR-28	JKS/KAB	ISSUED
100	2005-MAR-28	JKS/KAB	ISSUED

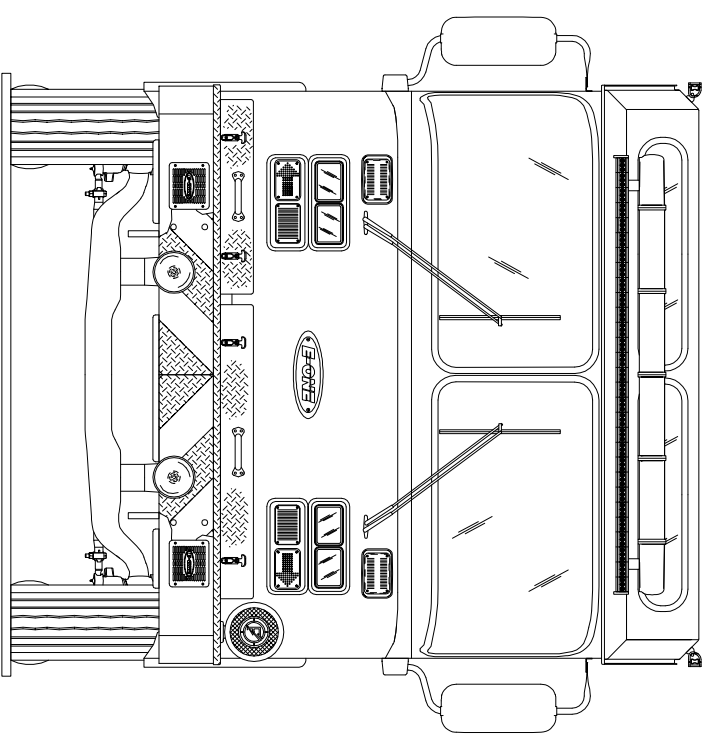
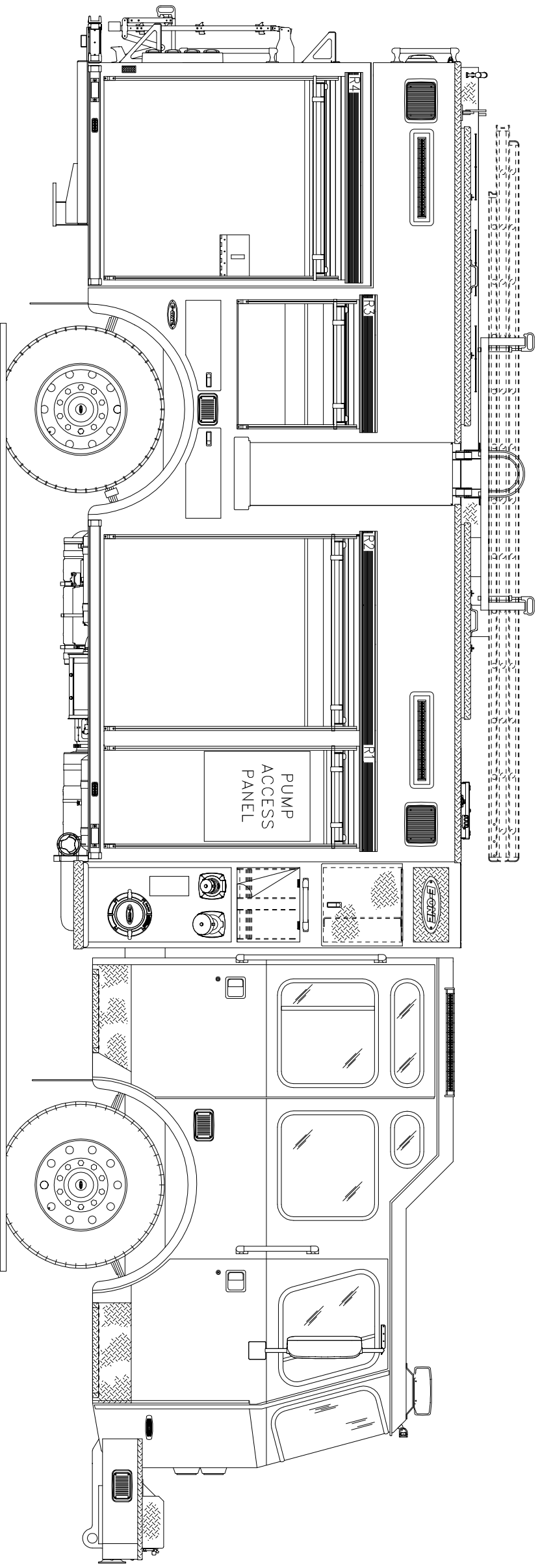


E-ONE INC.
OCALA, FL
SO 139155
MAX HUSH BODY
CYCLONE 2X HUSH CAB

THIS DRAWING IS FOR REFERENCE PURPOSES. ALL DIMENSIONS ARE
 SUBJECT TO MINOR VARIATIONS DUE TO MANUFACTURING PROCESSES.

APPROVED FOR PRODUCTION

DESIGNER: _____ DATE: _____



REVISIONS	DATE	BY	DESCRIPTION
1	2005-04-28	AKS/KAB	APPROVED
2	2005-04-28	AKS/KAB	APPROVED
3	2005-04-28	AKS/KAB	APPROVED
4	2005-04-28	AKS/KAB	APPROVED
5	2005-04-28	AKS/KAB	APPROVED
6	2005-04-28	AKS/KAB	APPROVED
7	2005-04-28	AKS/KAB	APPROVED
8	2005-04-28	AKS/KAB	APPROVED
9	2005-04-28	AKS/KAB	APPROVED
10	2005-04-28	AKS/KAB	APPROVED